

1-stage filter for 3-phase systems

new



Case 4A (25 A)



Case 4C-50

See below:

Approvals and Compliances

Description

- Terminals for three phases and ground
- 1 stage
- Very high attenuation
- Industrial or low leakage current versions

Unique Selling Proposition

- Compact design with small footprint
- Single-stage filter for high efficiency
- Light weight design
- Wide temperature range

Applications

- Voltage rating 520 VAC for world wide acceptance
- Protection against interference voltage from the mains
- Especially designed for industrial applications such as: Frequency Converters, Stepper Motor Drives, UPS-Systems, Inverters
- Suitable for use in equipment according to IEC/UL 60950

Weblinks

[pdf datasheet](#), [html-datasheet](#), [General Product Information](#), [Distributor-Stock-Check](#), [Detailed request for product](#), [Microsite](#)

Technical Data

Rated Current	16 - 230A
Rated voltage	300/520VAC, 50/60 Hz
Approval for	16 - 230A @ 50 °C / 300/520VAC; 50/60Hz
Overload Current	1.5 x I _r for 1 minute, per hour
Dielectric Strength	> 2.25kVDC between L-L > 2.75kVDC between L-PE Test voltage 2 sec
Number of Filter Stages	1-stage
Weight	0.9 - 4 kg
Material: Housing	Metal
Sealing Compound	UL 94V-0

Mounting	Screw-on mounting on chassis
Terminal	Screw clamps
Operating Temperature	-40°C to 100°C
Climatic Category	40/100/21 acc. to IEC 60068-1
Degree of Protection	IP 20 acc. to IEC 60529
Protection Class	Suitable for appliances with protection class I acc. to IEC 61140
MTBF	> 200'000h acc. to MIL-HB-217 F

Approvals and Compliances

Detailed information on product approvals, code requirements, usage instructions and detailed test conditions can be looked up in [Details about Approvals](#)

Approvals

The approval mark is used by the testing authorities to certify compliance with the safety requirements placed on electronic products.

Approval Reference Type: FMAC NEO

Approval Logo	Certificates	Certification Body	Description
	VDE Approvals	VDE	Certificate Number: 40049000
	UL Approvals	UL	UL File Number: E72928

Product standards

Product standards that are referenced

Organization	Design	Standard	Description
	Designed according to	IEC 60939	Passive filters for suppressing electromagnetic interference
	Designed according to	UL 1283	Electromagnetic interference filters





Application standards

Application standards where the product can be used

Organization	Design	Standard	Description
	Designed for applications acc.	IEC/UL 60950	IEC 60950-1 includes the basic requirements for the safety of information technology equipment.

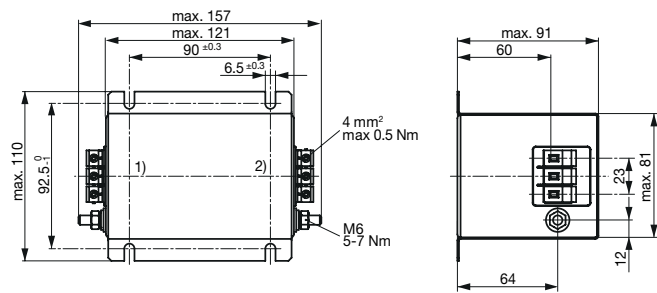
Compliances

The product complies with following Guide Lines

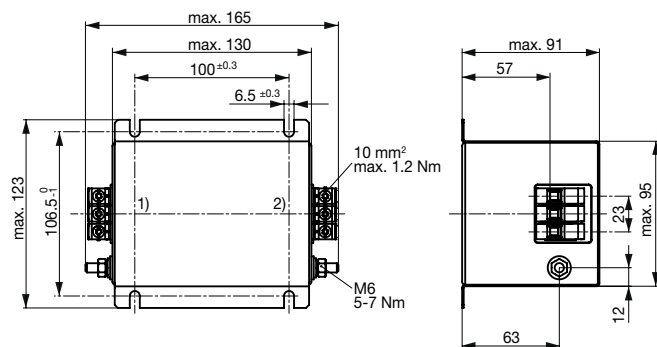
Identification	Details	Initiator	Description
	CE declaration of conformity	SCHURTER AG	The CE marking declares that the product complies with the applicable requirements laid down in the harmonisation of Community legislation on its affixing in accordance with EU Regulation 765/2008.
	RoHS	SCHURTER AG	EU Directive RoHS 2011/65/EU
	China RoHS	SCHURTER AG	The law SJ / T 11363-2006 (China RoHS) has been in force since 1 March 2007. It is similar to the EU directive RoHS.
	REACH	SCHURTER AG	On 1 June 2007, Regulation (EC) No 1907/2006 on the Registration, Evaluation, Authorization and Restriction of Chemicals 1 (abbreviated as "REACH") entered into force.

Dimension [mm]

Case 4A (16 A)

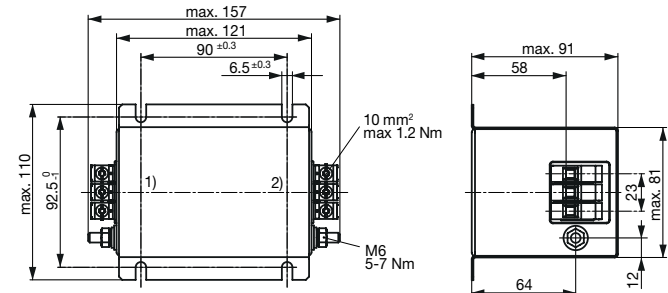


1) Line
2) Load
Case 4B-10

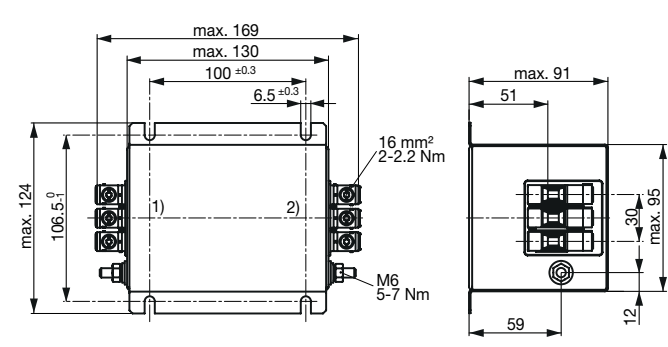


1) Line
2) Load

Case 4A (25 A)

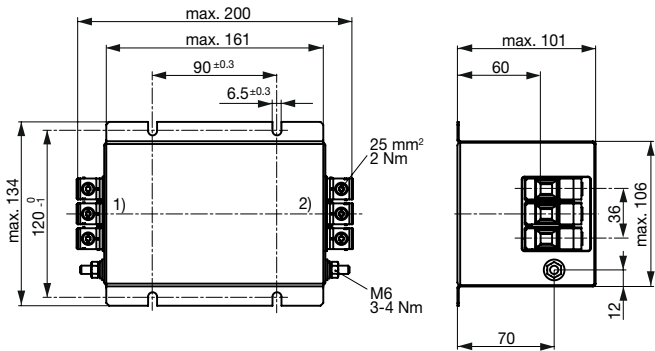


1) Line
2) Load
Case 4B-16



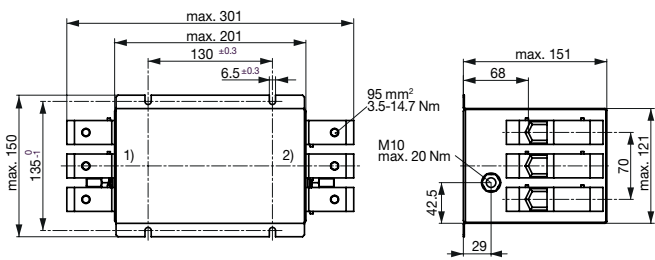
1) Line
2) Load

Case 4C-25



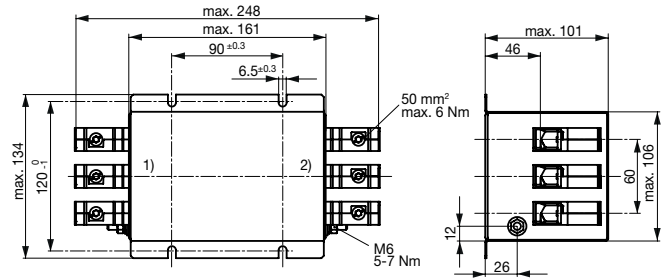
- 1) Line
- 2) Load

Case 4D



- 1) Line
- 2) Load

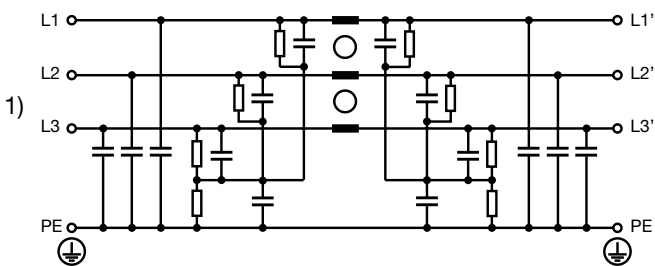
Case 4C-50



- 1) Line
- 2) Load

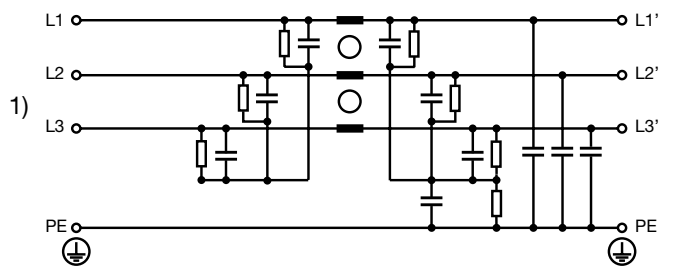
Diagrams

Industrial version



- 1) Line

Low leakage current version

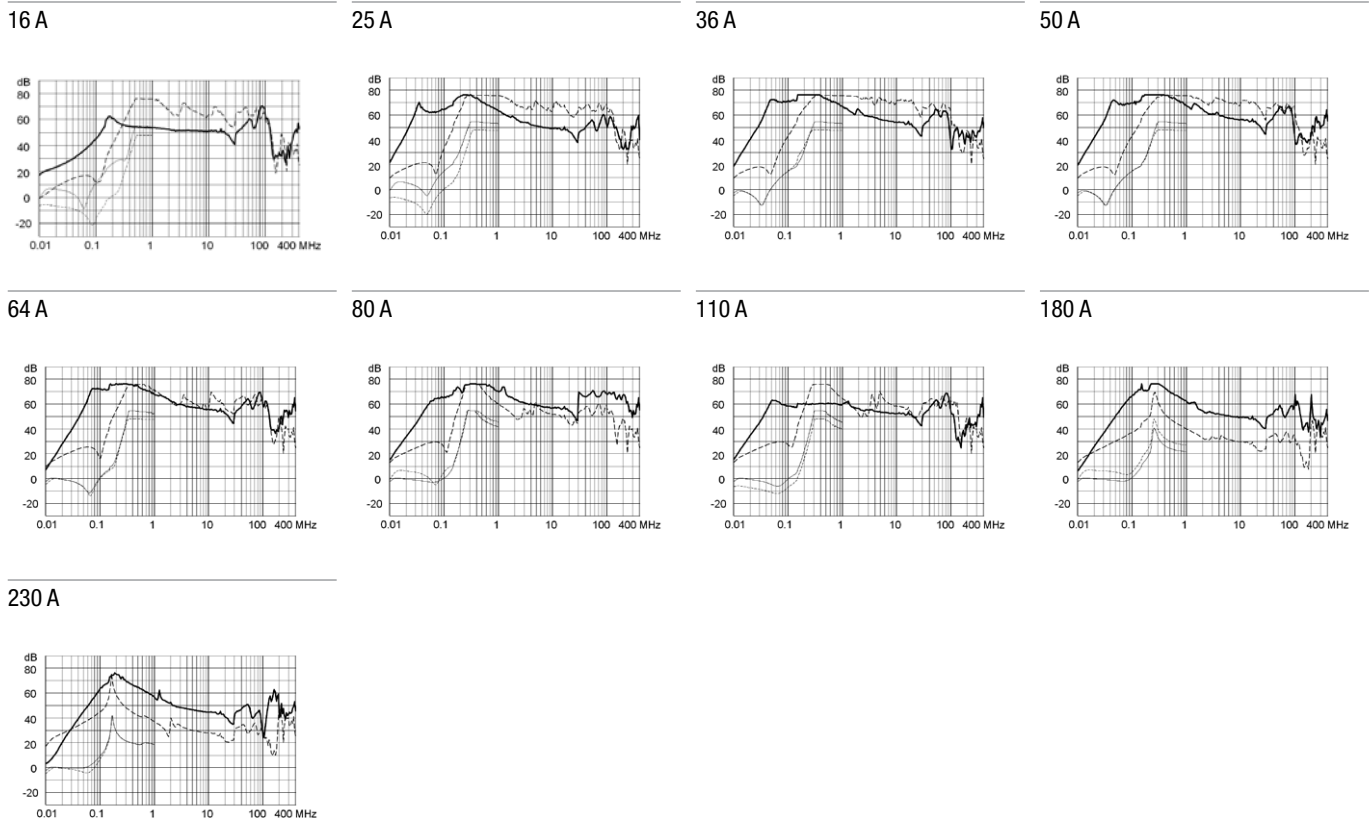


- 1) Line

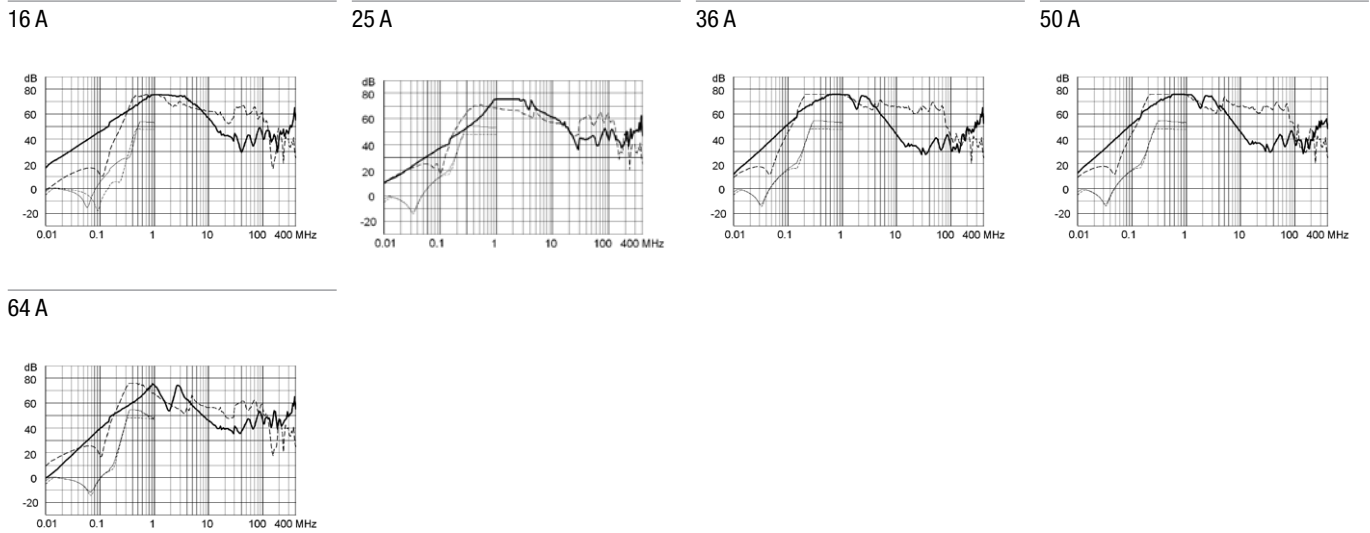
Attenuation Loss

--- 50Ω differential mode ___ 50Ω common mode

Industrial version



Low leakage current version



All Variants

Rated Current @ Ta 50°C [A]	Filter Type	Tripped Power Dissipation [W]	Contact Resi- stance [mΩ]	Leakage Cur- rent [mA] @ 440V, 60Hz 1)	Weight [kg]	Screw clamps [mm2] 2)	Housings	Order Number
16	Industrial Version	1.6	6.2	1.5	0.9 kg	4	4A	3-104-580
25	Industrial Version	1.9	3	10.7	1.1 kg	10	4A	3-104-581
36	Industrial Version	3.2	2.4	10.7	1.2 kg	10	4B-10	3-104-582
50	Industrial Version	6	2.4	11.4	1.2 kg	10	4B-10	3-104-583
64	Industrial Version	3.7	0.9	11.4	1.3 kg	16	4B-16	3-104-584
80	Industrial Version	4	0.6	12.2	1.4 kg	25	4C-25	3-104-585
110	Industrial Version	4.9	0.4	12.2	2.5 kg	50	4C-50	3-104-586

Rated Current @ Ta 50°C [A]	Filter Type	Tripped Power Dissipation [W]	Contact Resistance [mΩ]	Leakage Current [mA] @ 440V, 60Hz 1)	Weight [kg]	Screw clamps [mm ²] 2)	Housings	Order Number
180	Industrial Version	4.4	0.1	12.2	3 kg	95	4D	3-104-587
230	Industrial Version	5.8	0.1	13.1	4 kg	95	4D	3-104-588
16	Low leakage current version	1.6	6.2	1.4	0.9 kg	4	4A	3-104-862
25	Low leakage current version	1.9	3	3	1.1 kg	10	4A	3-104-841
36	Low leakage current version	3.2	2.4	3	1.2 kg	10	4B-10	3-104-872
50	Low leakage current version	6	2.4	3	1.2 kg	10	4B-10	3-104-873
64	Low leakage current version	3.7	0.9	3	1.3 kg	16	4B-16	3-104-874

Most Popular.

Availability for all products can be searched real-time: <https://www.schurter.com/en/Stock-Check/Stock-Check-SCHURTER>

1) Nominal leakage current acc. to IEC60950 - 5.2.5. under normal operating conditions. Note: worst case leakage current acc. to IEC60950 - Annex G4 (situation with two interrupted lines) can be much higher.

2) Maximum conductor cross section (wire gauge) to be used; a comparative table for AWG and mm² values can be found in the general product information www.schurter.com/emc_info

Packaging unit 1 Pcs